

Spot Air Conditioner

Cooling Only

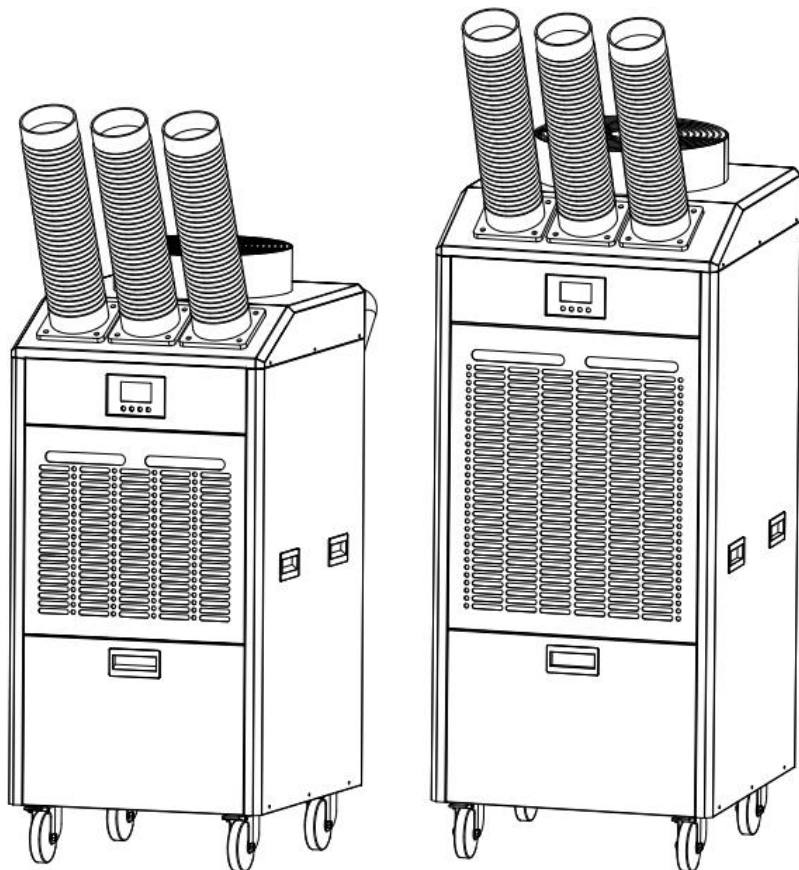
WMAC12 (AC220-240V / 50Hz)

WMAC16 (AC220-240V / 50Hz)

WMAC24 (AC220-240V / 50Hz)

WMAC36 (AC220-240V / 50Hz)

INSTRUCTION MANUAL



INDEX

| | |
|--|-----------|
| 1 For your safety | 2 |
| 2 Product specifications | 4 |
| 3 Parts | 5 |
| ① The control panel | 5 |
| ② Operation panel and instructions | 6 |
| ③ Function Description. | 6 |
| ④ Controller, terminal, temperature sensor | 7 |
| 4 Setup | 8 |
| ① Placing the unit | 8 |
| ② Attaching the cool air duct | 8 |
| ③ Connecting to a power source | 10 |
| ④ Trial operation | 10 |
| 5 How to use | 11 |
| ① Adjusting the direction of airflow | 11 |
| ② The drain tank | 11 |
| 6 Safety devices | 12 |
| 7 Maintenance and storage | 12 |
| ① Cleaning the filter | 12 |
| ② External maintenance | 12 |
| ③ Before storing the unit | 13 |
| 8 Safety inspections | 13 |
| 9 Troubleshooting | 14 |
| 10 After service | 15 |

Please read this manual to the end before commencing operation. Please also store this instruction manual in a place where it can be used by anyone who needs it at all times.

Thank you for purchasing this product.

Δ Note:

Do not use the unit in places with gases or vapor containing hydrochloric acid, sulphuric acid, or any other corrosive substances.

1 For your safety!


Please do not operate the unit before carefully reading and understanding the content of this section. The items treated in this section are to ensure safe use of the unit and to beforehand prevent harm or injury to you and others. Further, to clarify the severity of the harm and injuries that can result from incorrect use, the items in this section are divided into two categories; Warnings and Caution. However, since the actions explained under caution also sometimes can cause severe harm, please follow all instructions in this section carefully regardless of category.

 **Warning: Incorrect use can cause death or severe injury.**


● General caution


| Caution | |
|---|--|
| <p>Do not use the unit in any other way than is described in this manual. **Incorrect use can cause electric shock, short circuit, water leakage and other accidents.</p> | <p>Do not use the unit on ships or in vehicles. **Use on ships or in vehicles can result in water leakage and a short circuit.</p> |

● Carrying / Moving the unit


|  Caution | |
|--|---|
| <p>When carrying, or moving the unit in any other way, please keep it balanced and adapt your movement to the shape and weight of the unit at all time. **If the unit is dropped, there is a risk of injury and other accidents.</p> | <p>When packing the unit into and out of a vehicle, be sure to be 2 or more people to ensure safe operation. **If the unit is dropped, there is risk of physical injury and damage to the unit.</p> |

● Testing and operating the unit


|  Warning | |
|---|--|
| <p>Do not put wet hands on the plug, the switch or the electric wires. **This can cause electric shock and injury.</p> | <p>Do not expose to water or oil. **Water or oil can cause a short circuit, electric shock and other accidents.</p> |
| <p>Earth the unit securely, and use a earth leakage breaker (bought separately). **When the unit is broken or has a short circuit, there is risk of electric shock.</p> | <p>Use a suitable electrical outlet for the item. Do not plug in any other electrical appliance in the same outlet. **If other appliances are connected in the same outlet at the same time, the outlet can overheat and firing.</p> |

|  Warning | |
|--|--|
| <p>Please do not use the unit close to kerosene, gasoline, thinner, ether, paints or other flammable or explosive objects.</p> | <p>Do not use the unit close to dust, gas or steam containing aluminum, magnesium, titanium or other flammable substances.</p> |


| | |
|--|--|
| **This can result in fire or explosion. | **This can result in fire or explosion. |
|--|--|

|  Caution | |
|---|---|
| <p>If the unit is not working properly, pull the plug immediately and turn it in for service or repair. **There is risk of electric shock or fire caused by a short circuit.</p> | <p>Do not expose your body to the cold air from the unit for an extended period of time. **Prolonged exposure can harm your health. Use the swivel function, or direct the duct so it does not point directly at you.</p> |
| <p>Do not use the unit in vibrating or shaking places, or on slanting surfaces. **The unit can unexpectedly move or fall, causing accidents and injuries. **Place the unit on a stable level surface.</p> | <p>Do not use the unit in places where it is exposed to water. **Contact with water can damage the insulation and cause electric shock, short circuit, fire and other accident and injuries.</p> |
| <p>Do not use in places with electrically conductive dust from Iron, carbon, casting, aluminum etc. **Electric shock or fire caused by a short circuit can occur.</p> | <p>If you use the unit in a very dusty environment, make sure to clean the interior of the unit regularly. **Electric shock or fire caused by a short circuit can occur.</p> |
| <p>Keep away from fire. **The unit can become deformed, causing short circuit and possibly fire.</p> | <p>Do not put hands or fingers into the exhaust hole. **There is risk of injury.</p> |
| <p>Do not use the unit if the cord or plug is damaged, or if the plug is loose in the socket. **Electric shock or fire caused by a short circuit can occur.</p> | <p>If you use an extension cord, make sure to use one that meets the specified requirements. **There is risk of the cord overheating and catching fire.</p> |
| <p>Do not let the plug get dirty or get exposed to metal objects while plugged. **There is risk of electric shock, short circuit and fire.</p> | <p>Do not put heavy objects onto the electric cord. **If the cord gets damaged, there is risk of electric shock and fire.</p> |
| <p>Do not use the extension cord while its is coiled or bundled together. **There is risk of the cord overheating and catching fire. **Make sure that the extension cord is extended before use.</p> | <p>Do not use the unit in other than the stated operation conditions. **Since there is risk of electric shock, short circuit and malfunction, please use the unit within the suitable range: 18° (50% humidity) ~ 45° (40% humidity).</p> |
| <p>Do not damage, process, nor bend, pull, twist or bundle the cord excessively. **If the cord gets damaged, there is risk of electric shock or fire.</p> | <p>Do use electricity within the allowed range: 198V - 244V. **There is risk of electric shock and short circuit.</p> |
| <p>Remove the plug from the electric outlet when the unit is not in use. **There is risk of burning and other injuries, electric shock, fire caused by short circuit etc.</p> | <p>Do not use the unit in places with a lot of cutting oil or mineral oil. **They can cause the resin made parts of the unit to deteriorate, which can result in accidents and injuries.</p> |
| <p>When you unplug the plug, be sure not to pull it by the cord, but to pull it out holding the plug directly. **There is risk of electric shock, short circuit and fire.</p> | <p>Lock the caster wheels with the caster stoppers before starting to operate the unit. **The unit can start to move unexpectedly and cause</p> |

| | |
|--|-------------------------|
| | accidents and injuries. |
| <p>Do not use the unit in a place with dust that is harmful to the human body. **If harmful dust sticks to the unit, there is risk of harmful dust dispersal when the unit is in operation.</p> | |

| | |
|---|--|
|  Caution | |
| <p>Make sure that the unit is unplugged when in storage. **There is risk of injury and electric shock.</p> | |

● Maintenance

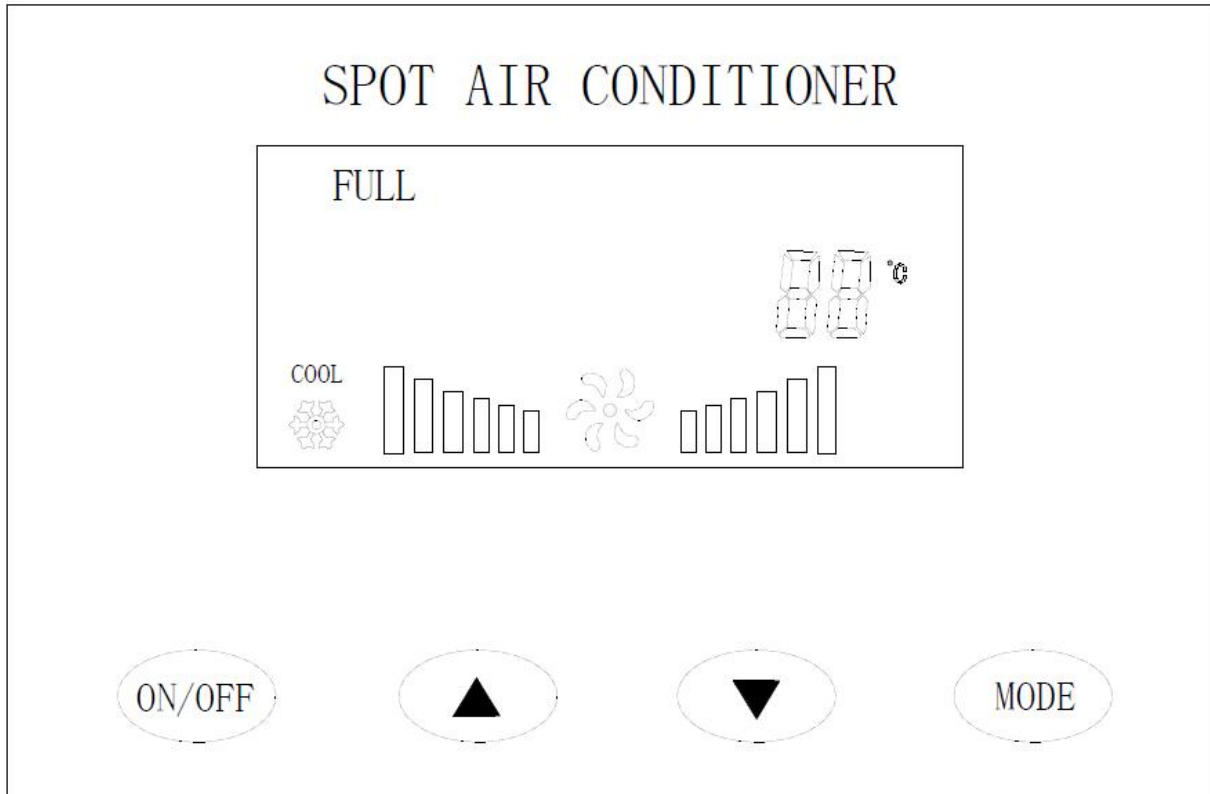
| | |
|---|---|
|  Caution | |
| <p>Disassemble, repair and reassemble is not to be attempted by anyone other than an authorized repairman/ technician. **Inadequate or poor handling can result in fire, malfunction and injuries.</p> | <p>All maintenance must be conducted while the unit is unplugged. **There is risk of electric shock and physical injuries.</p> |



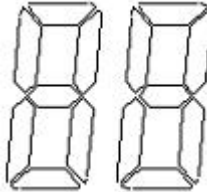
2 Product specifications

| Model number | WMAC24 | WMAC36 |
|---------------------|---|------------------------|
| Voltage | AC220-240V/ 50Hz | AC220-240V/50Hz |
| Cooling capacity | 25000BTU/H | 36000BTU/H |
| Air volume | 900m3/h | 1200 m3/h |
| Power | 3000W | 4200W |
| Rated running amps | 13.6A | 19A |
| Noise | 50-55db | 60-65db |
| Dimensions(mm) | 550×620×1250 | 600*620*1465 |
| Usable floor area | 80-180 m ² | 200-300 m ² |
| Cold air hose | 3 | 3 |
| Weight | 95KG | 130KG |
| Working temperature | 18-45℃ | |
| Refrigerant | R32 | |
| Remarks | Above refrigerating capacity, power consumption, current operation on the basis of working temperature 35 °C test values. | |

3 Parts

1. The control panel



| Display Icon | Description |
|--|--|
| Refrigeration Icon  | <ol style="list-style-type: none"> 1. This icon will be fixed when compressor is working. 2. This icon will be flashing when compressor is not working 3. This icon will not be displayed when machine turn off. |
| Wind Speed Icon  | <ol style="list-style-type: none"> 1. Switch On: High wind display fast, low wind display slowly. 2. Switch Off: Fixed display. |
| Digital Icon  | <ol style="list-style-type: none"> 1. This icon will be fixed to display the set temperature value, and words "setting" is showed on the top of this icon. 2. This icon will be flashing when setting temperature, and after setting, it needs 10 seconds to be fixed. 3. This icon will not be displayed when machine turn off. 4. This icon could also show current ambient temperature and coil temperature through combined button, and press MODE button to exit. |
| Water Filled Icon FULL | <ol style="list-style-type: none"> 1. Normal situation: Without this icon. 2. When the water tank is full or not placed correctly, this icon flashes. 3. After emptying the water tank and put back in correct position, this icon disappear, then machine restart. |

2. Operation panel and instructions:

| Button | Instruction of the buttons |
|---------------------------------------|--|
| 1.A single button instruction: | |
| ON/OFF | Conversion between power on and power off after you press each time; |
| ▲ | Adjust the different value in different condition: 1. Increase temperature setting value. (Range 10°-45°); 2. Increase wind speed. |
| ▼ | Adjust the different value in different condition: 1. Decrease temperature setting value (Range 10°-45°); 2. Decrease wind speed. |
| MODE | Press this button each short while as following cycle: Setting temperature→Setting wind speed→Setting timing on/off→Exit. |
| 2. Combined button instruction | |
| ▼+MODE | Display current ambient temperature(Press these 2 buttons for 3 seconds at same time) Press MODE button to exit. |
| ▲+MODE | Display coil temperature (Press these 2 buttons for 3 seconds at same time) Press MODE button to exit. |

3. Function Description:

Temperature control:

Please press▲ and ▼ buttons to adjust temperature. When machine reach the set temperature, it will stop working automatically;

Protection function:

- ① Compressor once stopped, it needs 3 minutes to re-start;
- ② When water tank is full or not placed correctly, machine will stop work.

Additional function:

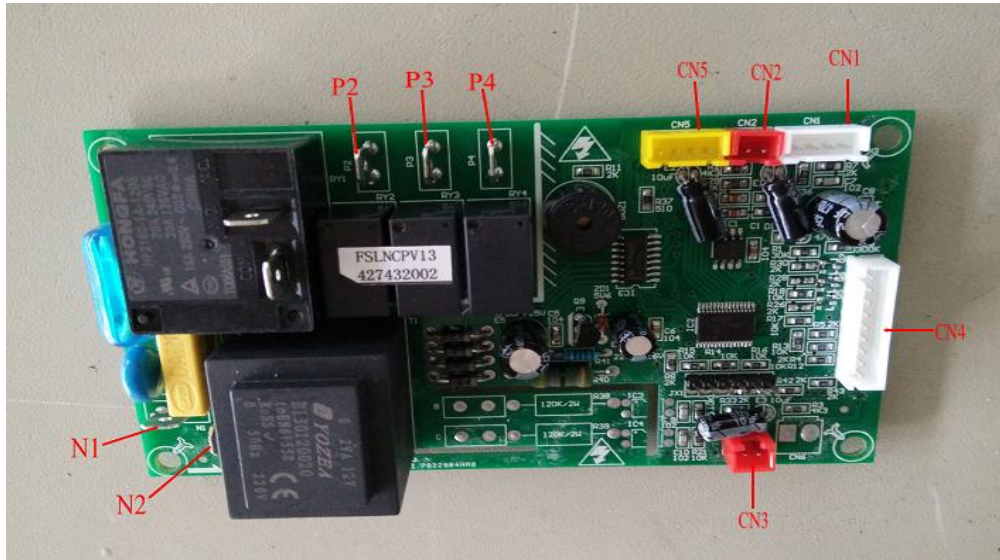
Power-off memory function: When the power failure, all settings can be restored.

Fault code table:

| Fault code | Fault reason | Related content |
|------------|------------------------------------|--|
| E1 | Coil temperature sensor fault | Checking sensor wiring connection. Replace new sensor. |
| E3 | Ambient temperature sensor failure | Checking sensor wiring connection. Replace new sensor. Ambient temperature is too high to test, please decrease ambient temperature. |
| E4 | System fault | After 20 minutes, if the compressor is not detected temperature dropping, need to check the compressor and refrigerant gas. |

4. Controller, terminal, temperature sensor:

Terminal instructions:



| Marking | Specification Model | Introduction |
|-----------|---------------------|--|
| N1,N2 | T6.3 Single insert | The AC power zero input/output end. |
| Relay COM | T6.3 Single insert | The ac power fire line input |
| Relay N.O | T6.3 Single insert | The compressor output interface |
| P4 | T6.3 Single insert | Four-way valve output interface |
| P3 | T6.3 Single insert | High speed fan output interface |
| P2 | T6.3 Single insert | Low speed fan output interface |
| CN1 | B4B-XH White slot | The temperature sensor input interface |
| CN2 | Red slot | Detection systems sensor input interface |
| CN3 | Red slot | Defrost detection sensor input interface |
| CN4 | B9B-XH White slot | From the mainboard to display panel interface. |
| CN5 | Yellow slot | Water level sensor input interface |

4 Setup

Important: To ensure safety, read section one “1 For your safety!” first.

1. Placing the unit

Make sure that the unit is placed so that there is nothing blocking the front side filter, the cool air duct or the hot air exhaust duct.

There is only an air inlet on the front side, and the only air outlets are on the top, so the unit can be placed with the other sides directly against a wall, in a corner or in any other confined space.

Note: Do not use the unit in places containing hydrochloric acid, sulphuric acid or any other corroding gas or steam.

** There is risk of gas leak or deterioration of performance.

2. Attaching the cool air duct

(1) Attaching the duct elbow

I. Insert the duct elbow into the elbow holder, fitting the attachment notch to the black mark on the inside of the holder.

II. After you have inserted the duct elbow into the holder, fasten it so does not come loose by turning it to either side.

(2) Attaching the cold air duct

① Insert the cold air duct into the duct elbow, fitting the attachment peg on the duct to the attachment notch in the elbow, then turn it to the right.

② Point the duct in the direction you want the air to blow in, fixing the duct elbow with your other hand.

Note: Make sure that the duct elbow is correctly inserted into the holder. If the duct elbow is not attached evenly, reattach it correctly.

(3) Removing the duct elbow

① Remove the cool air duct from the elbow.

② Turn the elbow until the attachment notch is aligned with the insertion mark.

③ Remove the duct elbow by pulling it straight up from the holder.

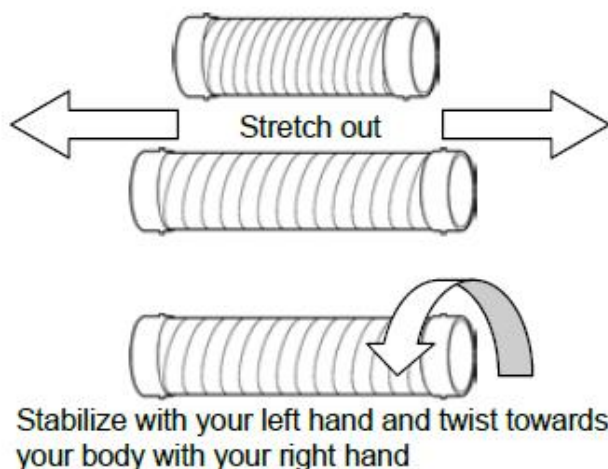
● Adjusting the firmness of the cold air duct

If the cold air duct is too loose, it will just droop down, not maintaining the desired direction of the cool airflow.

If this is the case, tighten the duct in the following manner.

① Grab both ends of the duct and stretch it until it is fully extended.

② Make the duct tighter by twisting the right end of the Duct one or two times, fixing the left end of the duct with your other hand. Now the duct should maintain any shape desired by the user.



- Note:** ① If something is dropped into the exhaust air vent, do not use a stick or similar object to try to retrieve it. You may damage internal parts and cause malfunction.
- ② Do not block the exhaust air vent in any way. This will obstruct the function of the unit and cause malfunction.

(Optional) Cool air duct extension

The cool air duct extension (Ø 125mm, length 5m) can be used when the unit can not be placed close to the workplace where it is needed.

● Cutting the cool air duct extension

Cut the cool air duct extension according to required length in the following way.

- ① Make a hole in the duct extension where you want to cut it with a flat screwdriver or similar tool.
- ② Cut the duct extension all the way around using scissors or a side cutter.



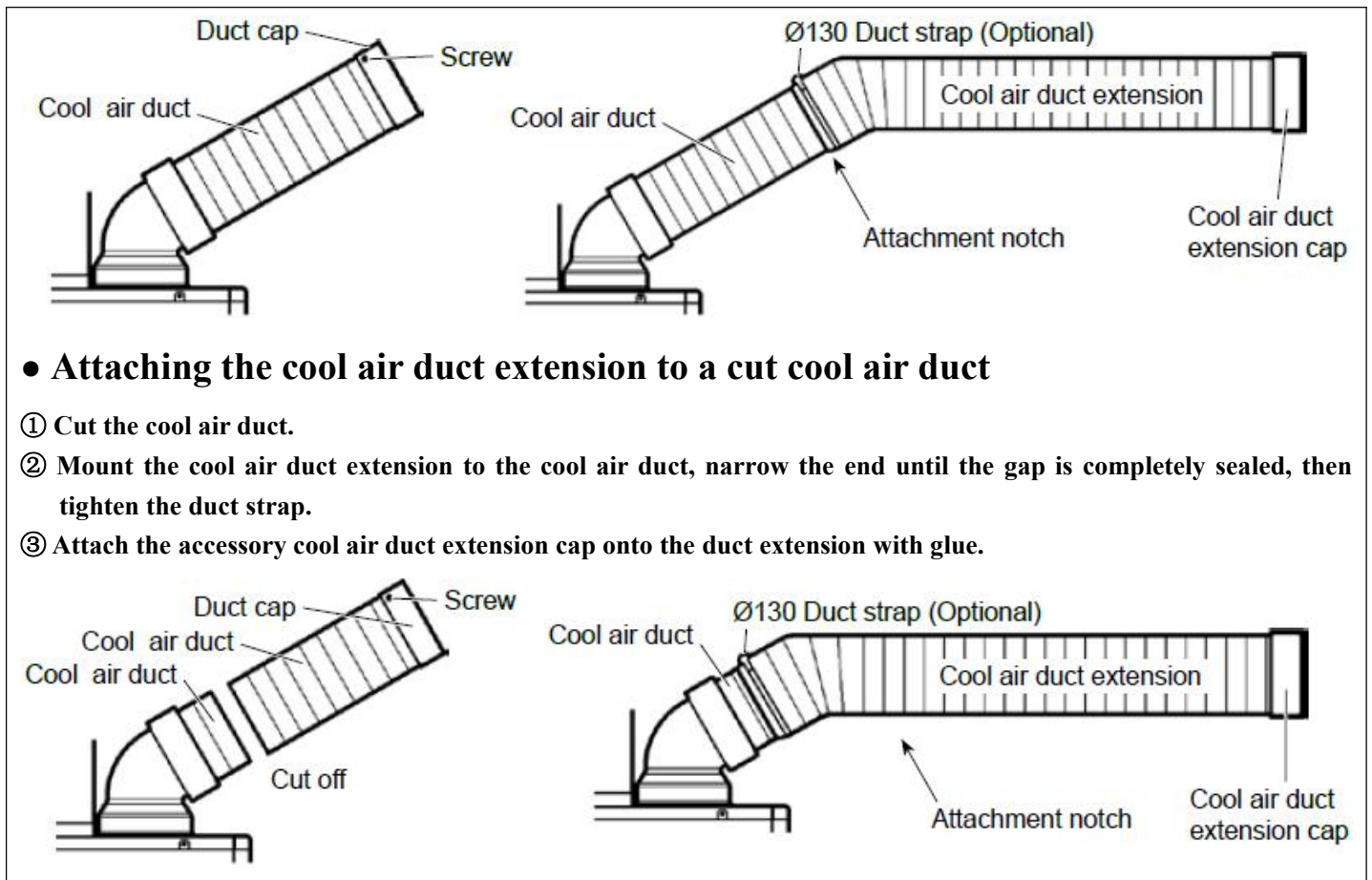
● Changing the diameter

You can reduce the diameter of the cool air duct by twisting it to the left, thereby increasing the air flow velocity.

Note Be careful not to make the duct extension too narrow. This could cause deterioration of performance and malfunction.

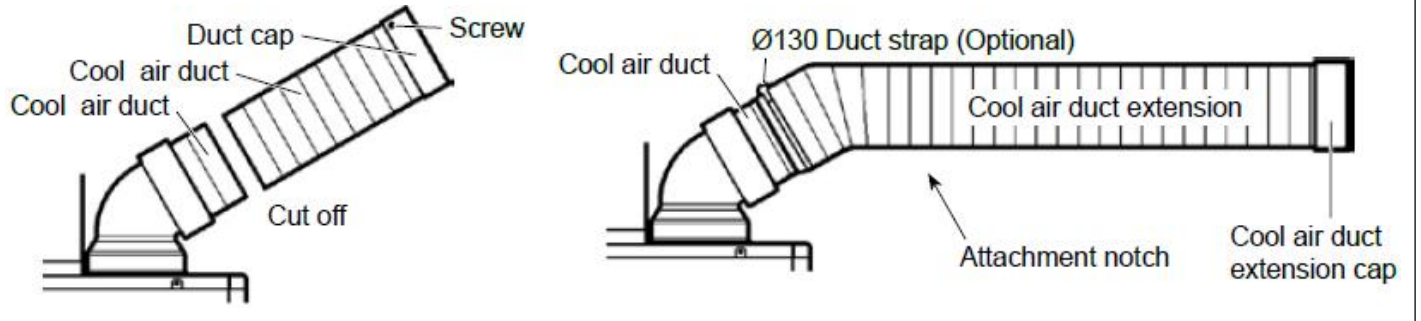
● Attaching the cool air duct extension to the cool air duct

- ① Loosen the screws on the duct cap, and then remove the duct cap from the cool air duct.
- ② Mount the cool air duct extension to the cool air duct, narrow the end until the gap is completely sealed, then tighten the duct strap.
- ③ Attach the accessory cool air duct extension cap onto the duct extension with glue.



● **Attaching the cool air duct extension to a cut cool air duct**

- ① Cut the cool air duct.
- ② Mount the cool air duct extension to the cool air duct, narrow the end until the gap is completely sealed, then tighten the duct strap.
- ③ Attach the accessory cool air duct extension cap onto the duct extension with glue.



Note: Do not use the swivel function when the duct extension is attached.

** This will damage the swivel device.

3. Connecting to a power source

Note Do not connect any other electrical appliance to the same power source that the unit is connected to.

(1) **Electrical wiring**

Make sure that no other electrical appliance is connected do the same power source as the unit.

(2) **The circuit breaker**

Use a suitable circuit breaker for each model.

(3) **Connecting the unit to a power source**

Insert the plug into the power source.

4. Trial operation

Turn on the power switch, the airflow adjustment switch and the swivel switch to make sure that everything works properly.

- ① The properties of all the switches are explained further in the next section “How to use”.
- ② If the unit does not work properly, please consult page 14 “Trouble shooting” for further guidance.

5 How to use

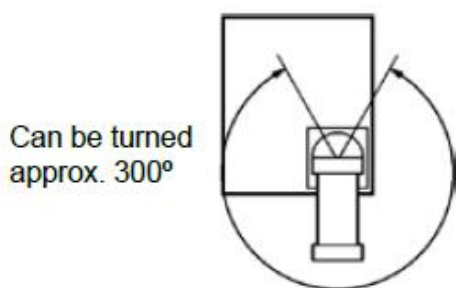
Important: To ensure safety, read section one “ 1 For your safety!” first.

1. Adjusting the direction of airflow

The cool air duct can be adjusted, so please operate the unit after having pointed it in the desired direction.

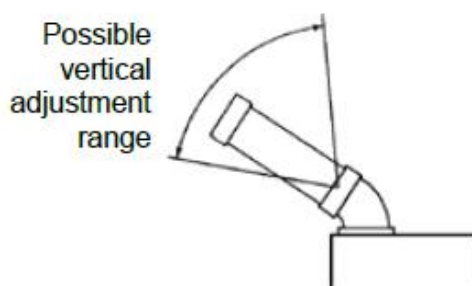
Horizontal adjustment

The cool air duct can be turned approximately 300 degrees.



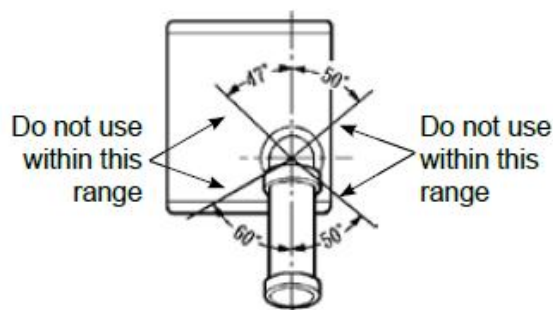
Vertical adjustment

The cool air duct is flexible and can be bent in any desired way within its possible range.



Note

- ① Bend the cool air duct gently, firmly holding the duct elbow with your other hand.
** The duct can get damaged if forcibly bent too far.
- ② If something is dropped into the exhaust air vent, do not use a stick or similar object to try to retrieve it.
** You may damage internal parts and cause malfunction.
- ③ Where the duct's attachment peg and the air vent's attachment notch align, the unit comes off. Therefore use the cool air duct within the indicated range.



2. The drain tank

- (1) The drain tank collects the condensed water

Part of the condensed water that appears in the upper cold part of the heat exchanger on the front of the unit vaporizes when it passes through the warm lower part on the way down to the drain tank. In certain environments almost all water will vaporize, leaving nothing for the drain tank. This does not mean that the unit is not working.

Note: ① The amount of condensed water that gathers in the drain tank varies depending on the temperature and humidity of the environment where the unit is used, as well as how clean or dirty the heat exchanger is. The amount of condensed water increases remarkably during rainy seasons and other times with high humidity, so be extra attentive at these times.

- ② When the drain tank becomes full the water will start spilling out on the floor, so check the amount

of water in the drain tank frequently and empty it before it gets full.

③ Since the condensed water in the drain tank will spill when the unit is moved, be sure to empty the tank first.

(2) Draining the condensed water with a hose

You can drain the condensed water directly to a drain or other desired place by attaching a hose onto the drain pipe. The inside diameter of the hose should be 16mm.

- ① Remove the drain tank.
- ② Attach the hose to the drain pipe, located on the upper left side of the drain tank compartment.
- ③ Place the other end of the hose in a drain or other suitable place.

6 Safety devices

The compressor overload relay

- ① The overload relay protects the compressor from overcurrents and overheating engine.
- ② The compressor overload relay is automatic. If the overload relay starts to work frequently (and the unit stops working), please take steps to eliminate the cause of the problem. If the cause is left unfixed, the unit can break down or malfunction.

Please consult “Trouble shooting“ on page 14 for more information.

7 Maintenance and storage

Important: To ensure safety, read section one “1 For your safety!” first.

1. Cleaning the filter

- ① Remove the filter by pulling it straight up.
- ② Clean off the dust from the filter with a vacuum cleaner.
- ③ If the filter is dirty, it should be cleaned with water.
- ④ Reinstall the filter into the unit after it has dried completely.

2. External maintenance

Wipe the ducts and other external parts clean with a dry piece of cloth, or a cloth with diluted neutral detergent.

Note Be very careful if you use thinner, benzene, chemicals or polishing powder or similar substances when cleaning the unit. You can easily damage the coating Or cause malfunction.

3. Before storing the unit

- ① Clean the filter and the exterior of the unit.
- ② Empty the drain tank and let it dry completely.
- ③ Turn on “Ventilation” for approximately one hour to let the internal parts dry completely.
- ④ Cover the unit with a suitable cover to prevent dust from gathering.
- ⑤ Store all the parts in a secure place so that nothing gets lost or damaged.

⑥ Clean the electric cord before storing it.

* Regarding cleaning of the heat exchanger, the sirocco fan and other internal parts, please consult with your local dealer. If you clean the internal parts before storage, the unit can be used immediately afterwards.

Note: Store the unit in a vertical standing position. Do not store it lying down.

** If the unit is stored lying down, the compressor or other parts can break down or malfunction.

8 Safety inspections

Important: To ensure safety, read section one “1 For your safety!” first.

To ensure safe operation, please perform the following inspections before use.

If any fault or malfunction is discovered, please take measures immediately.

| Inspection | Measure |
|---|--|
| Is the electric cord damaged or deformed? | Change the cord after having consulted with an authorized electrician. |
| Is the plug deformed or broken? | Change the plug after having consulted with an authorized electrician. |
| Is the cord and the power source connected correctly? | If not, connect them correctly. |
| Are the ducts deformed or torn? | Change them for new ones. |
| Is the filter clogged with dust or dirt? | Clean the filter. |
| Is the filter installed correctly? | If not, install it correctly. |
| Is the filter torn or damaged? | Change it for a new one? |
| Is the fin of the heat exchanger broken? | Hand the unit in for inspection and repair at your local retailer. |
| Is the heat exchanger fin covered with dust or greasy dirt? | |
| Is the filter or cool air duct blocked? | Remove the obstructing object. |
| Is the drain tank installed correctly? | If not, Install it correctly. |
| Is the drain tank damaged? | Change it for a new drain tank. |
| Are the caster wheels worn out? | Change the caster wheels. |
| Are the caster stoppers working normally? | If not, change the caster wheels. |
| Are all the switches and buttons working properly? | If not, consult page 13 of this manual and follow the instructions. If the problem remains even after that, please consult with your local dealer regarding inspection and repair. |
| Is the unit emitting strange sounds or smells? | Please consult with your local dealer regarding inspection and repair. |

9 Troubleshooting

Important: To ensure safety, read section one “1 For your safety!” first.

| What's wrong? | What to check | Measure |
|---|--|---|
| I can not turn on the unit | Is there power supply? (The power could be off because of blackout etc.) | Turn the power switch to “STOP” until the power is back on again. If the switch is turned to “COOL” when the power comes back on, the fuse might blow. |
| | Is the plug correctly connected in the outlet? | Insert the plug correctly into the outlet. |
| | Is the electric cord broken or damaged in any other way? | Fix the cord if possible, otherwise change it for a new one. |
| | Is the electric fuse blown or the breaker down? | Please consult with an electrician or your local retailer. |
| | Is the overload relay running? | The unit will restore itself automatically. Wait for the unit to be restored, turn the switch to “STOP”, wait 3 minutes and then restart the unit. |
| The fuse blew or the breaker is down | Is the capacity of the breaker sufficient? | Make sure that no other appliance is connected to the breaker or the branch circuit. |
| | Did you keep the cooler turned off for three minutes? | If you have turned off the unit, make sure to wait at least 3 minutes before turning on the “COOL“ again. (This does not apply to “AIR”, which can be turned on immediately.) |
| | Is the voltage too low? | Consult with your electric company. |
| The unit turns itself on and off frequently (The overload relay) | Is the voltage too low? | Consult with your electric company. |
| The air from the unit is not cool | Is the power switch not set to “COOL”? | Set the switch to “COOL“. |
| | Is the filter or cold air duct blocked? | Remove the obstructing object. |
| | If the filter clogged with dust or dirt? | Clean the filter. |
| The cooling effect is weak | Is the room temperature too high? (Higher than 45°C is too high) | Improve the ventilation to lower the temperature of the room, or use the unit in a room that correspond to required conditions: 25°C - 45°C. |
| Water is leaking from the unit | Is the drain tank damaged? | Repair it or change it for a new one. |
| | Is the drain pipe clogged? | Clean the drain pipe. |
| | Is the drain tank full? | Empty the drain tank. |
| | Is the drain tank placed correctly? | If not, place it in its correct position. |

■ If the problems do not get resolved by the above suggested measures, please consult with your local dealer.

10 After service

Caution

Please use standard parts for maintenance and repair.

****If you use spare parts other than standard parts, there is risk that they will not fit properly and can cause malfunction or accidents.**

****The same condition applies also to the case if spare parts are used in products from other companies.**

Repair

For questions regarding acquiring spare parts or regarding repair, please contact the store where you purchased the unit, after having prepared the product number, the manufacturer's serial number and the date of purchase.

For your safety

****If you intend to use the unit to preserve food products, animals and plants, precision machines, art objects etc., please check the specific requirements of those objects carefully before you commence. Inaccurate or inappropriate use can cause the quality of the objects to deteriorate.**

****Sometimes it will be necessary to perform installation work and electric work to the unit. In these cases, contact your local dealer or an experienced professional. If the works are performed inadequately, there is risk of electric shock, fire or accidents.**